

AVTECH ELECTROSYSTEMS LTD.

NANOSECOND WAVEFORM ELECTRONICS  
SINCE 1975

P.O. BOX 265  
OGDENSBURG, NY  
U.S.A. 13669-0265  
TEL: (315) 472-5270  
FAX: (315) 883-1328

TEL: 1-800-265-6681  
FAX: 1-800-561-1970

e-mail: [info@avtechpulse.com](mailto:info@avtechpulse.com)  
<http://www.avtechpulse.com/>

BOX 5120, LCD MERIVALE  
OTTAWA, ONTARIO  
CANADA K2C 3H4  
TEL: (613) 226-5772  
FAX: (613) 226-2802

INSTRUCTIONS

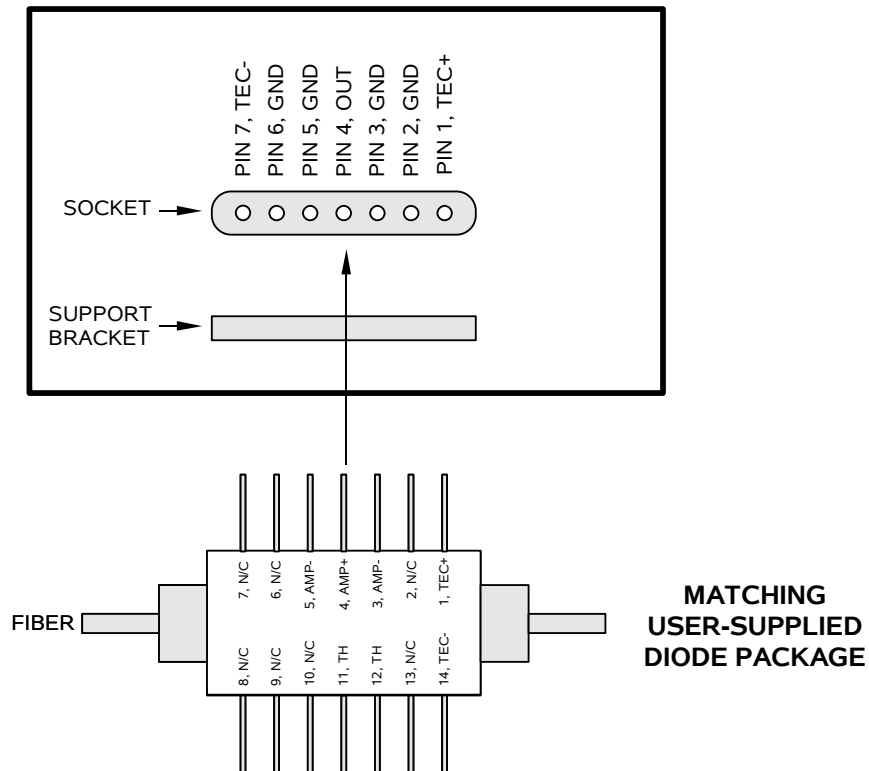
MODEL AVO-9E-C-TRF-P-P1-BNLB

0 TO 400 mA, 0.3 or 3 ns RISE TIME

HIGH PERFORMANCE LASER DIODE DRIVER

WITH PLUG-IN SOCKET OUTPUT MODULE

**AVX-S1-P1-BNLB SOCKET VIEW**



SERIAL NUMBER: \_\_\_\_\_

### WARRANTY

Avtech Electrosystems Ltd. warrants products of its manufacture to be free from defects in material and workmanship under conditions of normal use. If, within one year after delivery to the original owner, and after prepaid return by the original owner, this Avtech product is found to be defective, Avtech shall at its option repair or replace said defective item. This warranty does not apply to units which have been disassembled, modified or subjected to conditions exceeding the applicable specifications or ratings. This warranty is the extent of the obligation assumed by Avtech with respect to this product and no other warranty or guarantee is either expressed or implied.

### TECHNICAL SUPPORT

Phone: 613-226-5772 or 1-800-265-6681

Fax: 613-226-2802 or 1-800-561-1970

E-mail: [info@avtechpulse.com](mailto:info@avtechpulse.com)

World Wide Web: <http://www.avtechpulse.com>

## TABLE OF CONTENTS

<b>WARRANTY.....</b>	<b>2</b>
<b>TECHNICAL SUPPORT.....</b>	<b>2</b>
<b>TABLE OF CONTENTS.....</b>	<b>3</b>
<b>INTRODUCTION.....</b>	<b>5</b>
<b>SPECIFICATIONS.....</b>	<b>6</b>
<b>ORIGINAL QUOTATION.....</b>	<b>7</b>
<b>EUROPEAN REGULATORY NOTES.....</b>	<b>9</b>
EC DECLARATION OF CONFORMITY.....	9
DIRECTIVE 2002/95/EC (RoHS).....	9
DIRECTIVE 2002/96/EC (WEEE).....	9
<b>INSTALLATION.....</b>	<b>11</b>
VISUAL CHECK.....	11
POWER RATINGS.....	11
CONNECTION TO THE POWER SUPPLY.....	11
PROTECTION FROM ELECTRIC SHOCK.....	12
ENVIRONMENTAL CONDITIONS.....	12
<b>FUSES.....</b>	<b>14</b>
AC FUSE REPLACEMENT.....	14
DC FUSE REPLACEMENT.....	15
FUSE RATINGS.....	15
<b>FRONT PANEL CONTROLS.....</b>	<b>16</b>
<b>REAR PANEL CONTROLS.....</b>	<b>18</b>
<b>GENERAL INFORMATION.....</b>	<b>19</b>
MINIMAL TEST ARRANGEMENT - WITHOUT OUTPUT MODULE.....	19
NORMAL TEST ARRANGEMENT.....	20
INSTALLING THE DIODE.....	21
AMPLITUDE CONTROL.....	21
BASIC PULSE CONTROL.....	22
PULSE WIDTH / AMPLITUDE INTERACTION.....	22
<b>PROTECTING YOUR INSTRUMENT.....</b>	<b>23</b>
DO NOT EXCEED 10 MHz.....	23
USE A 50Ω LOAD.....	23

INSTALL THE DIODE CORRECTLY.....	23
<b>MECHANICAL INFORMATION.....</b>	<b>24</b>
TOP COVER REMOVAL.....	24
RACK MOUNTING.....	24
ELECTROMAGNETIC INTERFERENCE.....	24
<b>MAINTENANCE.....</b>	<b>25</b>
REGULAR MAINTENANCE.....	25
CLEANING.....	25
<b>WIRING DIAGRAMS.....</b>	<b>26</b>
WIRING OF AC POWER.....	26
PCB 158K - LOW VOLTAGE POWER SUPPLY, 1/3.....	27
PCB 158K - LOW VOLTAGE POWER SUPPLY, 2/3.....	28
PCB 158K - LOW VOLTAGE POWER SUPPLY, 3/3.....	29
PCB 126B - OSCILLATOR AND TRIGGER CIRCUIT.....	30
PCB 168B - HIGH VOLTAGE DC POWER SUPPLY.....	31
MAIN WIRING.....	32
<b>PERFORMANCE CHECKSHEET.....</b>	<b>33</b>

Manual Reference: Z:\officefiles\instructword\lavo-9\AVO-9E-C-TRF-P-P1-BNLB,ed1\_corr.odt.

Last modified March 23, 2006.

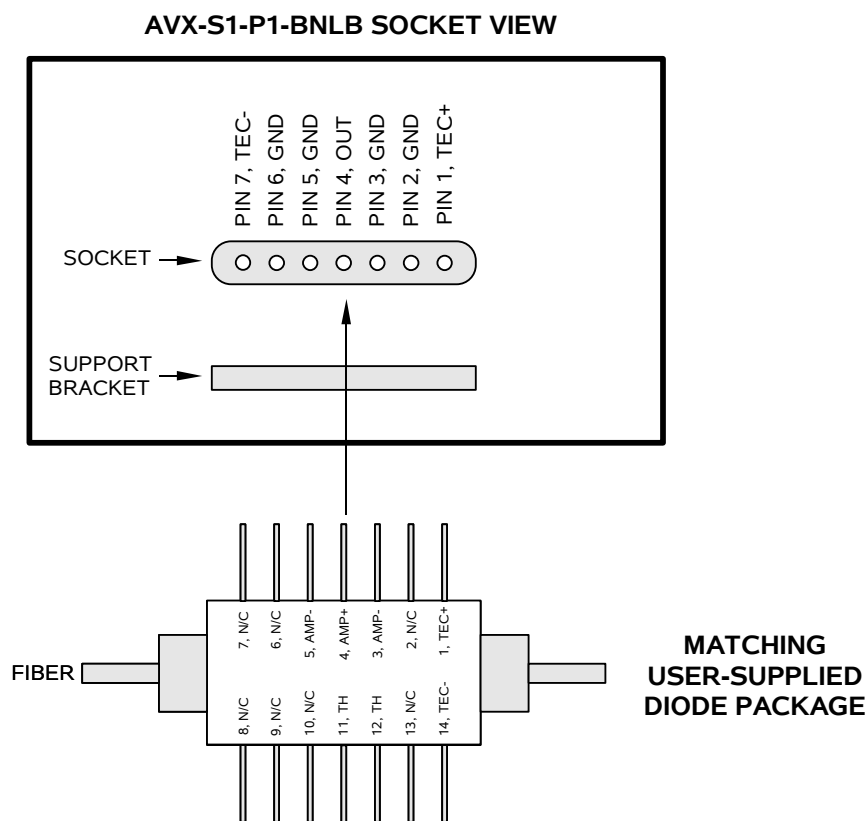
Copyright © 2006 Avtech Electrosystems Ltd, All Rights Reserved.

## INTRODUCTION

The AVO-9E-C-TRF-P-P1-BNLB is a high performance instrument capable of generating up to 400 mA of current into diode loads, at repetition rates up to 10 MHz. The pulse width is variable from 10 ns to 100 ns.

The AVO-9E-C-TRF-P-P1-BNLB consists of a mainframe unit and an AVX-S1 series output module, which provides a socket into which the user's laser diode may be inserted. The mainframe generates voltage pulses of between 0 and +23V. The output module connects to the instrument mainframe via a detachable 2 foot long coaxial cable. The output module contains the necessary elements to match the laser diode to the pulse generator mainframe. A DC bias current of 0 to +100 mA may be applied to the laser diode by applying the desired DC current to a solder terminal on the output module. The output modules include an SMA output connector that provides an attenuated coincident replica of the diode current.

The output module is provided with a socket that will accept pins 1-7 of the user-supplied Qphotonics QSOA-1550 butterfly-packaged laser diode. A positive pulse will be applied to the "AMP+" pin (pin 4). Pins 2-3 and 5-7 will be grounded. Access to pin 1 is provided through a solder terminal. Pins 8-14 will remain unconnected and accessible to the user.



## SPECIFICATIONS

Model:	AVO-9E-C-P1-BNLB <sup>1</sup>
Amplitude, standard <sup>3,8</sup> :	0 - 400 mA
Max. output of mainframe into 50Ω (V <sub>MAINFRAME</sub> ):	23V
R <sub>S</sub> + R <sub>DIODE</sub> :	50Ω
Transformer ratio, N:	1
Allowed load voltage range:	0 to 3V. (Contact Avtech if your diode has a higher forward voltage drop)
Pulse width (FWHM) <sup>9</sup> :	10 - 100 ns
Duty cycle limits:	10%
Minimum PRF:	1 kHz
Maximum PRF:	10 MHz
Rise / fall times (20%-80%):	≤ 300 ps or 3 ns, switchable
Related 50Ω series:	AVMR-2
Included output module:	AVX-S1-P1-BNLB
Polarity <sup>5</sup> :	Positive
Propagation delay:	≤ 100 ns (Ext trig in to pulse out)
Jitter:	± 15 ps
DC offset or bias insertion:	Apply required DC bias current in the range of ± 100 mA to solder terminal on output module.
Sync delay:	Variable 0 to 200 ns (Sync out to pulse out)
Sync output (to 50Ω):	+3V, 100ns
Trigger required: (ext trig mode)	+ 5 V (TTL), ≥ 50 ns
Connectors:      Out: Other:	User-specified socket. Trig: BNC,    Monitor: SMA
Power requirements:	100 - 240 Volts, 50 - 60 Hz
Dimensions, Mainframe: (H×W×D)	100 x 430 x 375 mm (3.9" x 17" x 14.8")
Dimensions, Output Module:	41 x 66 x 76 mm (1.6" x 2.6" x 3.0"), cast aluminum, blue enamel
Temperature range:	+5°C to +40°C

- 1) -C suffix indicates stand-alone lab instrument with internal clock and line powering. (See <http://www.avtechpulse.com/formats/> for details of the instrument formats).
- 2) -B suffix indicates IEEE-488.2 GPIB and RS-232 control of amplitude and frequency. See <http://www.avtechpulse.com/gpib/> for details.
- 3) For operation at amplitudes of less than 20% of full-scale, best results will be obtained by setting the amplitude near full-scale and using external attenuators on the output, between the mainframe and the output module. Attenuators are available in the -AK1 accessory kit option.
- 4) Add suffix -HC to the model number to specify current-doubling option.
- 5) Indicate desired polarity by suffixing model number with -P or -N.
- 6) Add the suffix -TNT to the model number to specify the Telnet / Web Ethernet control option.
- 7) For photo diode output monitor option add suffix -MD.
- 8) Standard AVO-9A-C, AVO-9B-C, and AVO-9E-C units have a one-turn amplitude dial. To specify a ten-turn amplitude dial, suffix the model number with -AT. Not applicable for -B units.
- 9) Standard AVO-9A-C, AVO-9B-C, and AVO-9E-C units have a one-turn pulse width dial. To specify a ten-turn pulse width dial, suffix the model number with -PWT. Not applicable for -B units.

ORIGINAL QUOTATION

Date: Fri, 06 Jan 2006 15:16:07 -0500  
From: Avtech Sales

XXXXX,

The End Use Statement needs the purchase order number on it. If you can obtain a PO number from your purchasing department, then yes, you can go ahead and send us the End Use Statement even if the PO itself is delayed.

I am pleased to re-quote as follows with a modified pulse width range and an updated model number:

Quote number: 13074

Model number: AVO-9E-C-TRF-P-P1-BNLB

Description: Laser Diode Driver (Pulsed Voltage)

Polarity: positive

-P1-BNLB special option: This option changes the pulse width range from the standard 20-200 ns to 15-100 ns. Also, the output module socket will accept pins 1-7 of the Qphotonics QSOA-1550 diode in a butterfly package. A positive pulse will be applied to the diode anode (pin 4). Pins 2-3 and 5-7 will be grounded. Pin 1 will be made accessible through a solder terminal. Four mounting holes on a 9 x 26 mm grid will be provided.

Pricing, manuals, datasheets: <http://www.avtechpulse.com/laser/avo-9e>

PDF datasheet:

[http://www.avtechpulse.com/catalog/page064\\_cat11\\_avo-9\\_rev7.pdf](http://www.avtechpulse.com/catalog/page064_cat11_avo-9_rev7.pdf)

Price: \$XXXXXX US each, FOB destination.

Quote valid for: 60 days

Estimated delivery: 60 days after receipt of order (excluding export permit\* delays).

\*Export Permit: These instruments are very high performance pulse generators, which are considered to be "Nuclear-Related Dual-Use Goods" under government regulations. As such, an "End Use Statement" must be completed when ordering. The necessary form is attached (in PDF format). We will use the information in the completed form to apply for an export license from the Canadian government, which will take 1 to 6 weeks to obtain. We cannot ship your order without the license. Please return the completed form to us by fax.

Please call or email me if I can be of further assistance.

Thank you for your interest in our products!

Regards,  
Dr. Michael J. Chudobiak  
Chief Engineer

--- Avtech Electrosystems Ltd. ----- since 1975 ---

PO Box 265	ph: 1-800-265-6681 or 613-226-5772	Box 5120
Ogdensburg	fax: 1-800-561-1970 or 613-226-2802	LCD Merivale
New York	email: info@avtechpulse.com	Ottawa, Ontario
USA 13669-0265	<a href="http://www.avtechpulse.com/">http://www.avtechpulse.com/</a>	Canada K2C 3H4

Pulse Generators - Laser Diode Drivers - HV Amplifiers  
Monocycle Generators - Impulse Generators - Pulse Amplifiers  
Current Pulsers - Function Generators - Frequency Dividers - and more!

Free catalog & newsletter ~ <http://www.avtechpulse.com/request/>

---



## EUROPEAN REGULATORY NOTES

### EC DECLARATION OF CONFORMITY

We Avtech Electrosystems Ltd.  
P.O. Box 5120, LCD Merivale  
Ottawa, Ontario  
Canada K2C 3H4

declare that this pulse generator meets the intent of Directive 89/336/EEC for Electromagnetic Compatibility. Compliance pertains to the following specifications as listed in the official Journal of the European Communities:

EN 50081-1 Emission

EN 50082-1 Immunity

and that this pulse generator meets the intent of the Low Voltage Directive 72/23/EEC as amended by 93/68/EEC. Compliance pertains to the following specifications as listed in the official Journal of the European Communities:

EN 61010-1:2001 Safety requirements for electrical equipment for measurement, control, and laboratory use



### DIRECTIVE 2002/95/EC (RoHS)

This instrument is exempt from Directive 2002/95/EC of the European Parliament and of the Council of 27 January 2003 on the Restriction of the use of certain Hazardous Substances (RoHS) in electrical and electronic equipment. Specifically, Avtech instruments are considered "Monitoring and control instruments" (Category 9) as defined in Annex 1A of Directive 2002/96/EC. The Directive 2002/95/EC only applies to Directive 2002/96/EC categories 1-7 and 10, as stated in the "Article 2 - Scope" section of Directive 2002/95/EC.

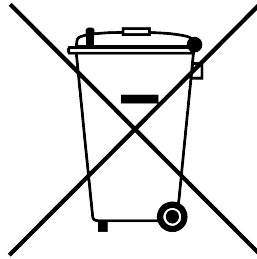
### DIRECTIVE 2002/96/EC (WEEE)

European customers who have purchased this equipment directly from Avtech will have completed a "WEEE Responsibility Agreement" form, accepting responsibility for

WEEE compliance (as mandated in Directive 2002/96/EC of the European Union and local laws) on behalf of the customer, as provided for under Article 9 of Directive 2002/96/EC.

Customers who have purchased Avtech equipment through local representatives should consult with the representative to determine who has responsibility for WEEE compliance. Normally, such responsibilities will lie with the representative, unless other arrangements (under Article 9) have been made.

Requirements for WEEE compliance may include registration of products with local governments, reporting of recycling activities to local governments, and financing of recycling activities.



## INSTALLATION

### VISUAL CHECK

After unpacking the instrument mainframe and the output module, examine to ensure that they have not been damaged in shipment. Visually inspect all connectors, knobs, and handles. Confirm that a power cord, a coaxial cable, and an instrumentation manual (this manual), are with the instrument. If the instrument has been damaged, file a claim immediately with the company that transported the instrument.

### POWER RATINGS


This instrument is intended to operate from 100 - 240 V, 50 - 60 Hz.

The maximum power consumption is 57 Watts. Please see the "FUSES" section for information about the appropriate AC and DC fuses.

This instrument is an "Installation Category II" instrument, intended for operation from a normal single-phase supply.

### CONNECTION TO THE POWER SUPPLY


An IEC-320 three-pronged recessed male socket is provided on the back panel for AC power connection to the instrument. One end of the detachable power cord that is supplied with the instrument plugs into this socket. The other end of the detachable power cord plugs into the local mains supply. Use only the cable supplied with the instrument. The mains supply must be earthed, and the cord used to connect the instrument to the mains supply must provide an earth connection. (The supplied cord does this.)

 Warning: Failure to use a grounded outlet may result in injury or death due to electric shock. This product uses a power cord with a ground connection. It must be connected to a properly grounded outlet. The instrument chassis is connected to the ground wire in the power cord.

The table below describes the power cord that is normally supplied with this instrument, depending on the destination region:

Destination Region	Description	Manufacturer	Part Number
Continental Europe	European CEE 7/7 "Schuko" 230V, 50Hz	Volex ( <a href="http://www.volex.com">http://www.volex.com</a> )	17850-C3-326
		Qualtek ( <a href="http://www.qualtekusa.com">http://www.qualtekusa.com</a> )	319004-T01
United Kingdom	BS 1363, 230V, 50Hz	Qualtek ( <a href="http://www.qualtekusa.com">http://www.qualtekusa.com</a> )	370001-E01
Switzerland	SEV 1011, 2 30V, 50Hz	Volex ( <a href="http://www.volex.com">http://www.volex.com</a> )	2102H-C3-10
Israel	SI 32, 220V, 50Hz	Volex ( <a href="http://www.volex.com">http://www.volex.com</a> )	2115H-C3-10
North America, and all other areas	NEMA 5-15, 120V, 60 Hz	Qualtek ( <a href="http://www.qualtekusa.com">http://www.qualtekusa.com</a> )	312007-01

## PROTECTION FROM ELECTRIC SHOCK

 Operators of this instrument must be protected from electric shock at all times. The owner must ensure that operators are prevented access and/or are insulated from every connection point. In some cases, connections must be exposed to potential human contact. Operators must be trained to protect themselves from the risk of electric shock. This instrument is intended for use by qualified personnel who recognize shock hazards and are familiar with safety precautions required to avoid possibly injury. In particular, operators should:

1. Keep exposed high-voltage wiring to an absolute minimum.
2. Wherever possible, use shielded connectors and cabling.
3. Connect and disconnect loads and cables only when the instrument is turned off.
4. Keep in mind that all cables, connectors, oscilloscope probes, and loads must have an appropriate voltage rating.
5. Do not attempt any repairs on the instrument, beyond the fuse replacement procedures described in this manual. Contact Avtech technical support (see page 2 for contact information) if the instrument requires servicing. Service is to be performed solely by qualified service personnel.

## ENVIRONMENTAL CONDITIONS

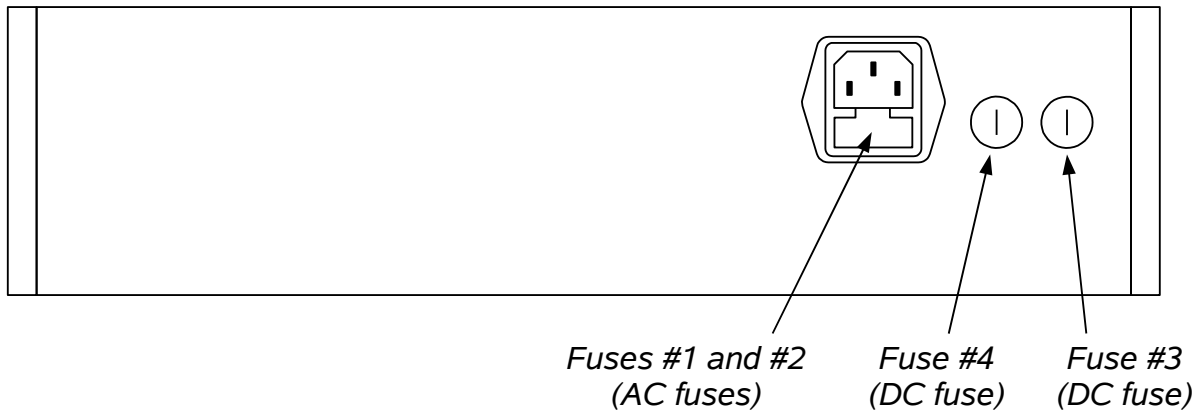
This instrument is intended for use under the following conditions:

1. indoor use;
2. altitude up to 2 000 m;
3. temperature 5 °C to 40 °C;

4. maximum relative humidity 80 % for temperatures up to 31 °C decreasing linearly to 50 % relative humidity at 40 °C;
5. Mains supply voltage fluctuations up to  $\pm 10$  % of the nominal voltage;
6. no pollution or only dry, non-conductive pollution.

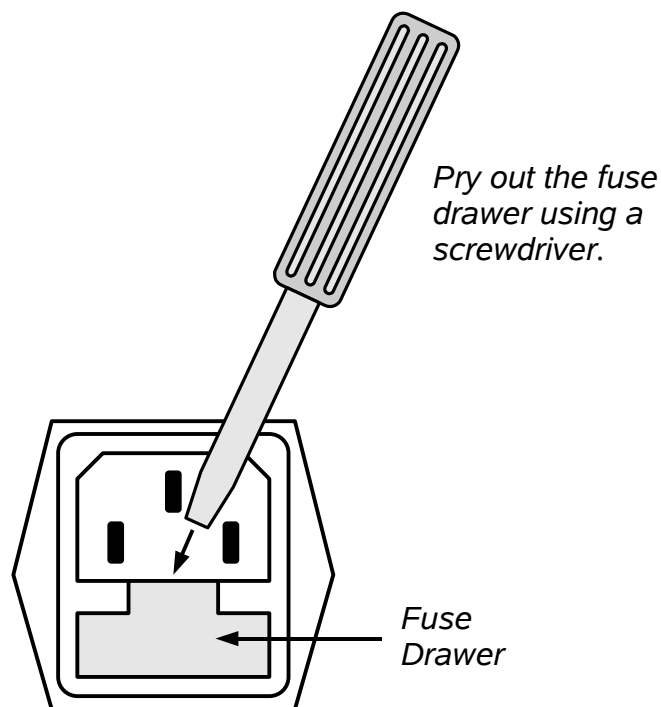
## FUSES

This instrument contains four fuses. All are accessible from the rear-panel. Two protect the AC prime power input, and two protect the internal DC power supplies. The locations of the fuses on the rear panel are shown in the figure below:



### AC FUSE REPLACEMENT

To physically access the AC fuses, the power cord must be detached from the rear panel of the instrument. The fuse drawer may then be extracted using a small flat-head screwdriver, as shown below:



## DC FUSE REPLACEMENT

The DC fuses may be replaced by inserting the tip of a flat-head screwdriver into the fuse holder slot, and rotating the slot counter-clockwise. The fuse and its carrier will then pop out.

## FUSE RATINGS

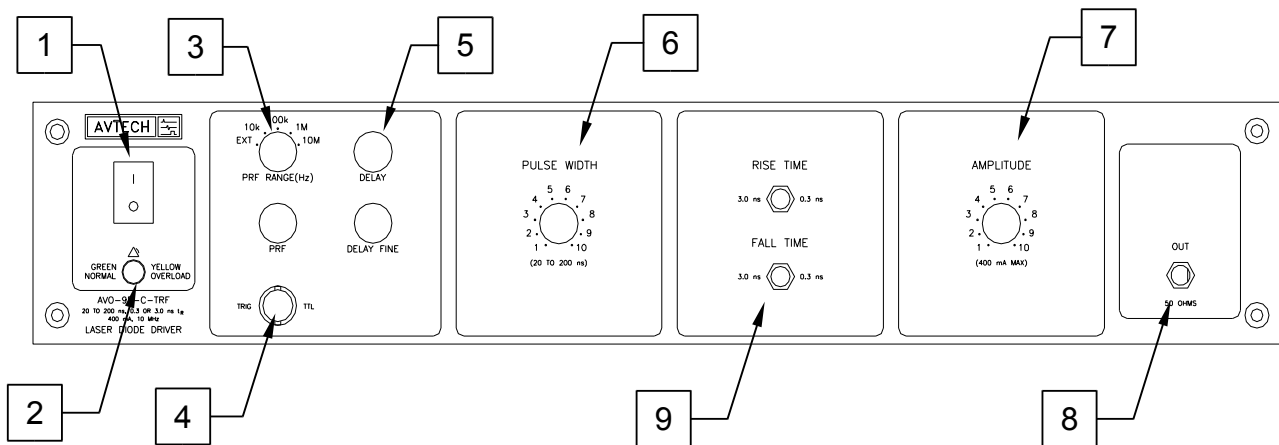
The following table lists the required fuses:

Fuses	Nominal Mains Voltage	Rating	Case Size	Recommended Replacement Part	
				Littelfuse Part Number	Digi-Key Stock Number
#1, #2 (AC)	100-240V	0.5A, 250V, Time-Delay	5×20 mm	0218.500HXP	F2416-ND
#3 (DC)	N/A	1.0A, 250V, Time-Delay	5×20 mm	0218001.HXP	F2419-ND
#4 (DC)	N/A	0.5A, 250V, Time-Delay	5×20 mm	0218.500HXP	F2416-ND

The recommended fuse manufacturer is Littelfuse (<http://www.littelfuse.com>).

Replacement fuses may be easily obtained from Digi-Key (<http://www.digikey.com>) and other distributors.

## FRONT PANEL CONTROLS



*Note: The “-BNLB” version has a pulse width range of 10-100 ns, not the 20-200 ns range indicated on the front panel.*

- 1) POWER Switch. This is the main power switch. When turning the instrument on, there may be a delay of several seconds before the instrument appears to respond.
- 2) OVERLOAD Indicator. When the instrument is powered, this indicator is normally green, indicating normal operation. If this indicator is yellow, an internal automatic overload protection circuit has been tripped. If the unit is overloaded (by operating at an exceedingly high duty cycle or by operating into a very low impedance), the protective circuit will disable the output of the instrument and turn the indicator light yellow. The light will stay yellow (i.e. output disabled) for about 5 seconds after which the instrument will attempt to re-enable the output (i.e. light green) for about 1 second. If the overload condition persists, the output will be disabled again (i.e. light yellow) for another 5 seconds. If the overload condition has been removed, the instrument will resume normal operation.

This overload indicator may flash yellow briefly at start-up. This is not a cause for concern.

- 3) PRF Range Switch. This switch sets the pulse repetition frequency (PRF) range of the internal oscillator. The marked value of each position is the upper limit of the 10:1 range, approximately. The vernier dial directly below the switch varies the PRF within the set range.

If this switch is set to the “EXT” position, the instrument is triggered by a signal applied to the TRIG connector, rather than by the internal oscillator.

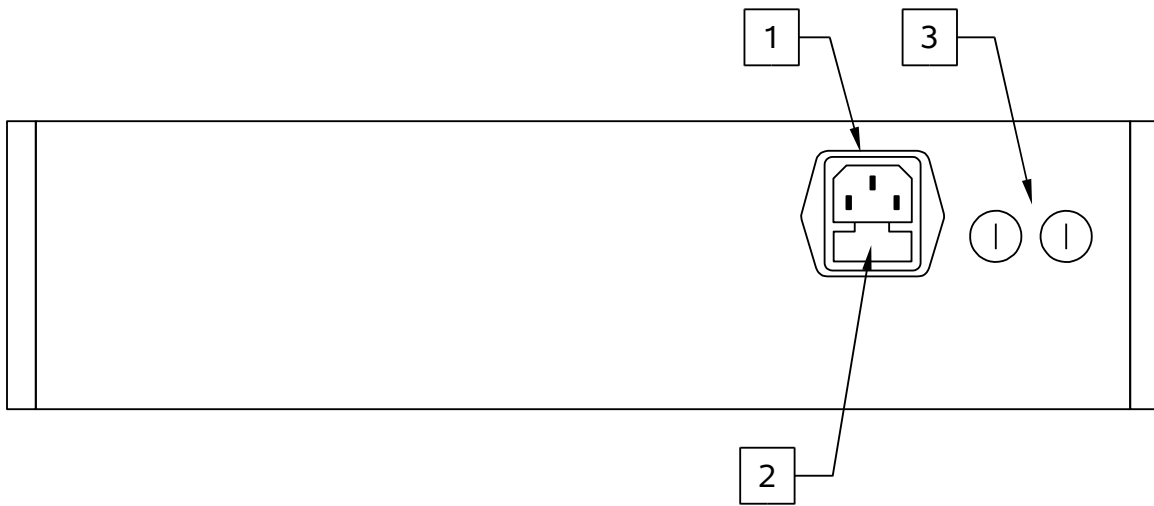
- 4) TRIG Connector. When the PRF Range Switch is set to “EXT”, the instrument is triggered by a TTL pulse applied to this connector. The pulse must be at least 50 ns wide.



When the PRF Range Switch is set to one of the four internal oscillator ranges, this connector is an output, which supplies a 2V, 50 ns wide pulse for each trigger event. This output may be used to trigger oscilloscopes or other equipment.

- 5) Delay Controls. When the PRF Range Switch is set to one of the four internal oscillator ranges, the main output is advanced or delayed relative to the TRIG output pulse (item 3). The delay is variable up to 200 ns, approximately, using the DELAY and DELAY FINE dials.
- 6) Pulse Width Control. This dial controls the pulse width.
- 7) Amplitude Control. This dial controls the amplitude.
- 8) OUT Connector. This SMA connector is connected to the output module, when the output module is used to drive a diode load. If the output module is not used, this output will generate up to 23V into a load impedances of 50Ω. (NOTE: when the output module is not used, this output *requires* a 50Ω load to function properly).
- 9) RISE / FALL TIME Controls. (Optional. Requires -TRF option.) The rise and fall times can be switched between 0.3 and 3 ns, approximately, using these switches.

## REAR PANEL CONTROLS

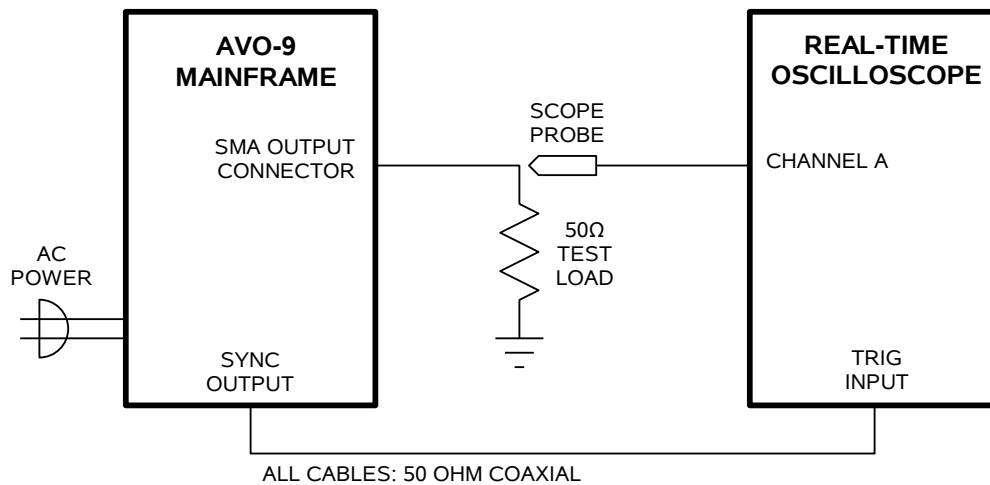


1. AC POWER INPUT. An IEC-320 C14 three-pronged recessed male socket is provided on the back panel for AC power connection to the instrument. One end of the detachable power cord that is supplied with the instrument plugs into this socket.
2. AC FUSE DRAWER. The two fuses that protect the AC input are located in this drawer. Please see the “FUSES” section of this manual for more information.
3. DC FUSES. These two fuses protect the internal DC power supplies. Please see the “FUSES” sections of this manual for more information.

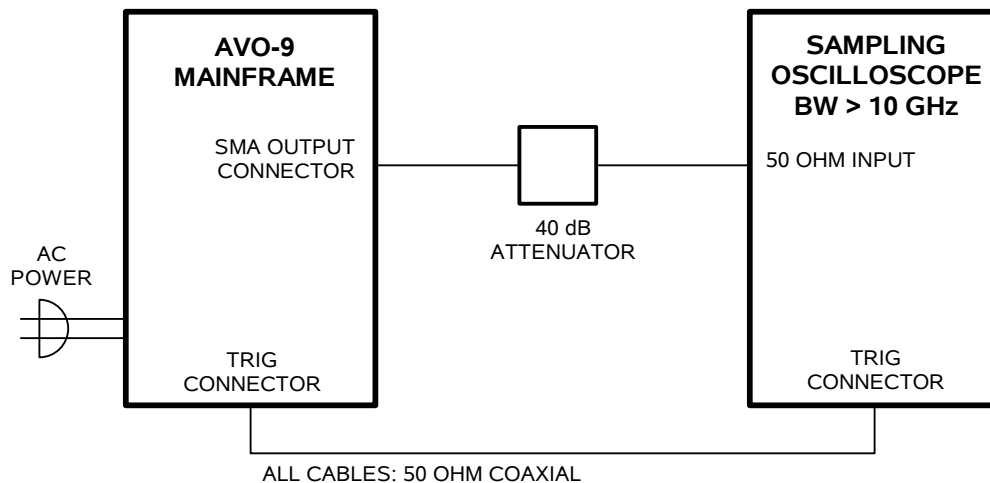
## GENERAL INFORMATION

### MINIMAL TEST ARRANGEMENT - WITHOUT OUTPUT MODULE

The AVO-9E-C-TRF-P-P1-BNLB can be tested initially without the supplied output module. If the output module is not used, the mainframe output generates 0 to +23V into a 50 Ohm load, as illustrated below:



Since the AVO-9E-C-TRF-P-P1-BNLB can generate pulses with rise times  $< 0.3$  ns, it may be necessary to use a sampling oscilloscope, rather than a real-time oscilloscope. In this case, the test arrangement should be altered as shown below:

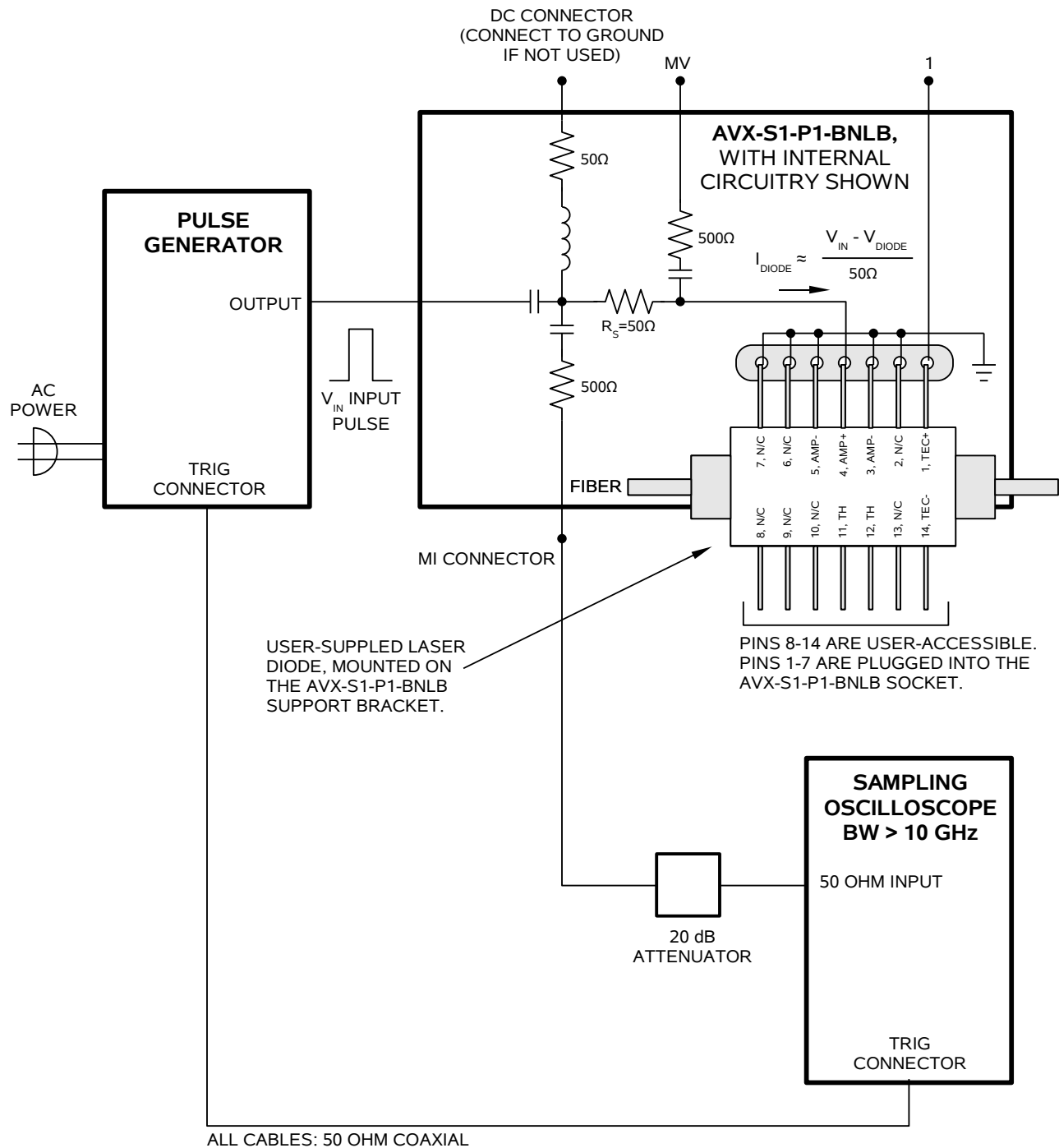


Since most sampling oscilloscopes have limited input amplitude ranges, attenuators are required.

When the output module is not used, a 50 Ohm load impedance is *required* for proper test operation.

### NORMAL TEST ARRANGEMENT

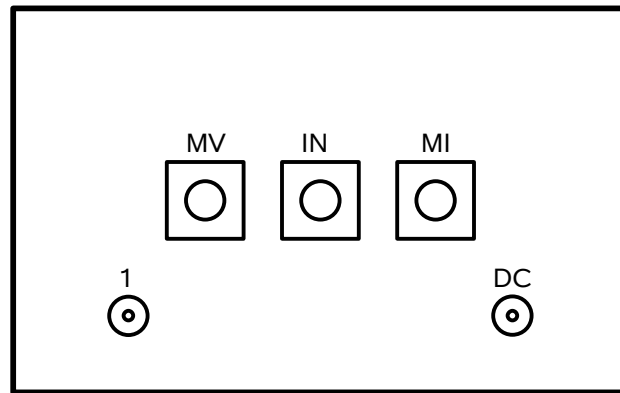
To fully test the AVO-9E-C-TRF-P-P1-BNLB, and for normal operation, the output module should be connected as shown below:



The diode load is inserted into the socket on the output module, as shown above.

An oscilloscope may be used to monitor the MI and MV outputs, the locations of which are shown in the figure above. A forward DC bias may be applied to the laser diode by connecting a DC potential of 0 to +10 Volts to the DC solder terminal. The application of a small forward bias often yields a more ideal diode current waveform (as observed on the MI port). The DC port must be shorted to ground if a bias is not applied.

A solder terminal is provided which offers access to pin 1 of the diode under test. Typically this is a "TEC+" terminal.



AVX-S1-P1-BNLB OUTPUT MODULE, CONNECTOR VIEW

### INSTALLING THE DIODE

To install the diode in the output module socket, align the diode so that pins 1-7 are facing the socket, and the mounting flange of the diode is underneath the main body of the diode. Gently and slowly insert the diode into the socket. Insert it far enough that the mounting holes on the diode align with the mounting holes on the support bracket. Secure the diode to the support bracket using four 2-56 screws.

It may be necessary to first loosen the two 4-40 screws that attach the support bracket to the main body of the AVX-S1, to provide optimal alignment of the bracket. Re-tighten the screws after optimal alignment has been obtained.

It is recommended that pins 1-7 be trimmed from their normal length to a shorter length of 7 mm. This will make it easier to insert and remove the diode.

### AMPLITUDE CONTROL

When using the output module, the pulse current through the diode load is given by:

$$I_{\text{DIODE}} \approx (V_{\text{IN}} - V_{\text{DIODE}}) / 50\Omega$$

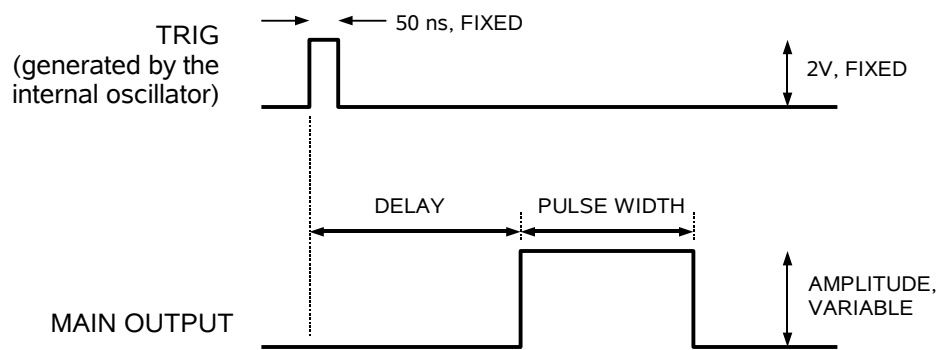
where  $V_{IN}$  is the amplitude of the input pulse and  $V_{DIODE}$  is the forward voltage drop across the diode (typically 2 or 3V).

### BASIC PULSE CONTROL

This instrument can be triggered by its own internal clock or by an external TTL trigger signal. When triggered internally, two mainframe output channels respond to the trigger: OUT and SYNC.

- OUT. This is the main output. The maximum output voltage is 23V.
- TRIG. The TRIG pulse is a fixed-width TTL-level reference pulse used to trigger oscilloscopes or other measurement systems.

These pulses are illustrated below:



*Figure A*

When triggered externally, the TRIG connector acts as an input. The delay controls do not function in this mode.

### PULSE WIDTH / AMPLITUDE INTERACTION

The pulse width and delay of the output pulse may vary slightly with the amplitude setting, particularly at lower amplitudes. For some demanding applications, it may be desirable to use external attenuators in conjunction with the AVO-9E-C-TRF-P-P1-BNLB, instead of generating a low-amplitude pulse directly.

## PROTECTING YOUR INSTRUMENT

### DO NOT EXCEED 10 MHz

The output stage may be damaged if triggered by an external signal at a pulse repetition frequency greater than 10 MHz.

### USE A 50Ω LOAD

The mainframe output stage may be damaged if the output is not terminated into the output module or a 50Ω dummy load.


### INSTALL THE DIODE CORRECTLY

**NOTE:** Trim the diode leads to **no longer than 0.5" / 1.25 cm in length**. If the leads are longer than that, they may cause an internal short circuit in the output module, which may cause damage to the diode and the output module.


## MECHANICAL INFORMATION

### TOP COVER REMOVAL

If necessary, the interior of the instrument may be accessed by removing the four Phillips screws on the top panel. With the four screws removed, the top cover may be slid back (and off).

 Always disconnect the power cord and allow the instrument to sit unpowered for 10 minutes before opening the instrument. This will allow any internal stored charge to discharge.

There are no user-adjustable internal circuits. For repairs other than fuse replacement, please contact Avtech (info@avtechpulse.com) to arrange for the instrument to be returned to the factory for repair. Service is to be performed solely by qualified service personnel.

 Caution: High voltages are present inside the instrument during normal operation. Do not operate the instrument with the cover removed.

### RACK MOUNTING

A rack mounting kit is available. The -R5 rack mount kit may be installed after first removing the one Phillips screw on the side panel adjacent to the front handle.

### ELECTROMAGNETIC INTERFERENCE

To prevent electromagnetic interference with other equipment, all used outputs should be connected to shielded loads using shielded coaxial cables. Unused outputs should be terminated with shielded coaxial terminators or with shielded coaxial dust caps, to prevent unintentional electromagnetic radiation. All cords and cables should be less than 3m in length.



## MAINTENANCE

### REGULAR MAINTENANCE

This instrument does not require any regular maintenance.

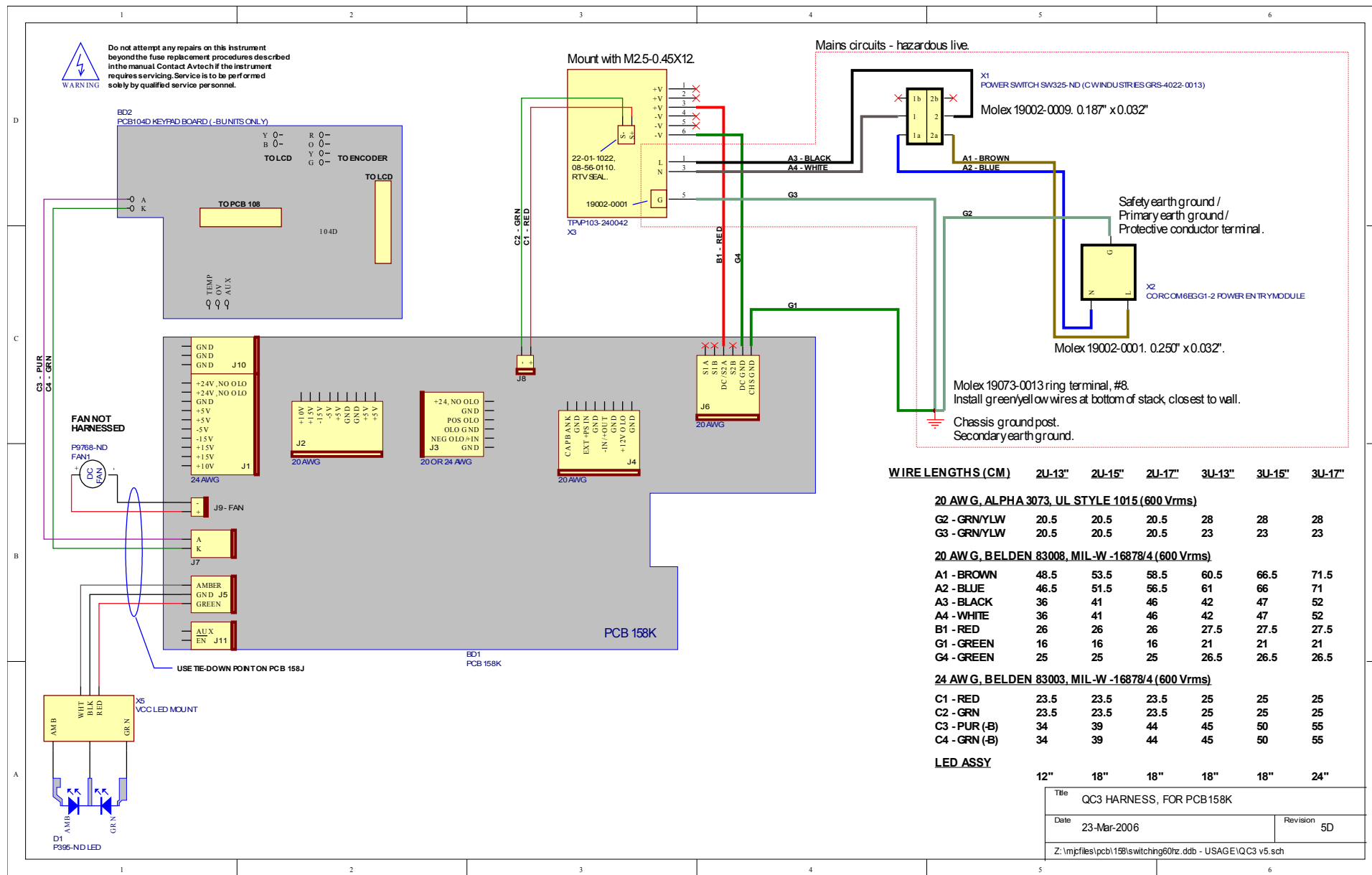
On occasion, one or more of the four rear-panel fuses may require replacement. All fuses can be accessed from the rear panel. See the “FUSES” section for details.

### CLEANING

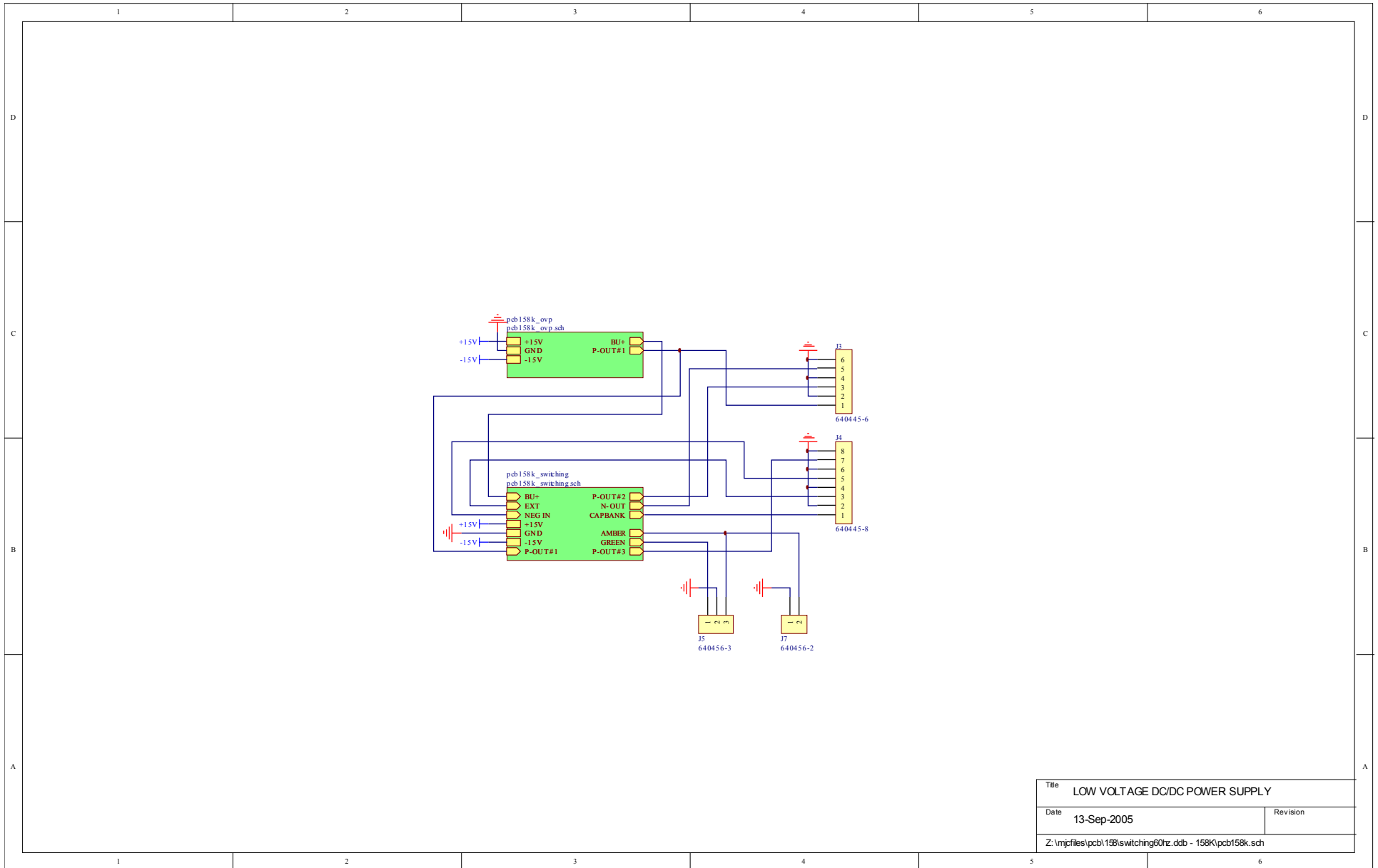
If desired, the interior of the instrument may be cleaned using compressed air to dislodge any accumulated dust. (See the “TOP COVER REMOVAL” section for instructions on accessing the interior.) No other cleaning is recommended.

# WIRING DIAGRAMS

## WIRING OF AC POWER

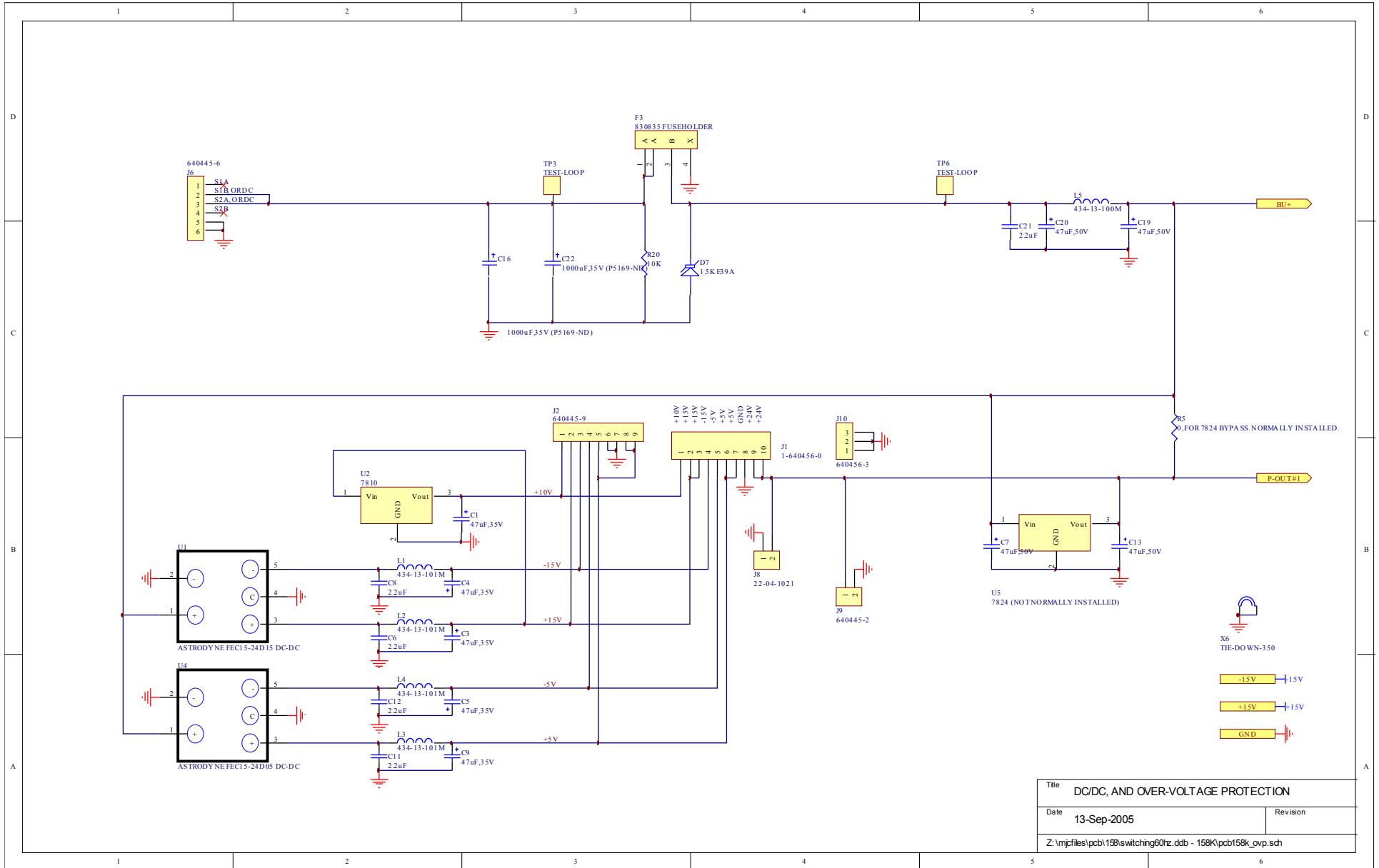


# PCB 158K - LOW VOLTAGE POWER SUPPLY, 1/3

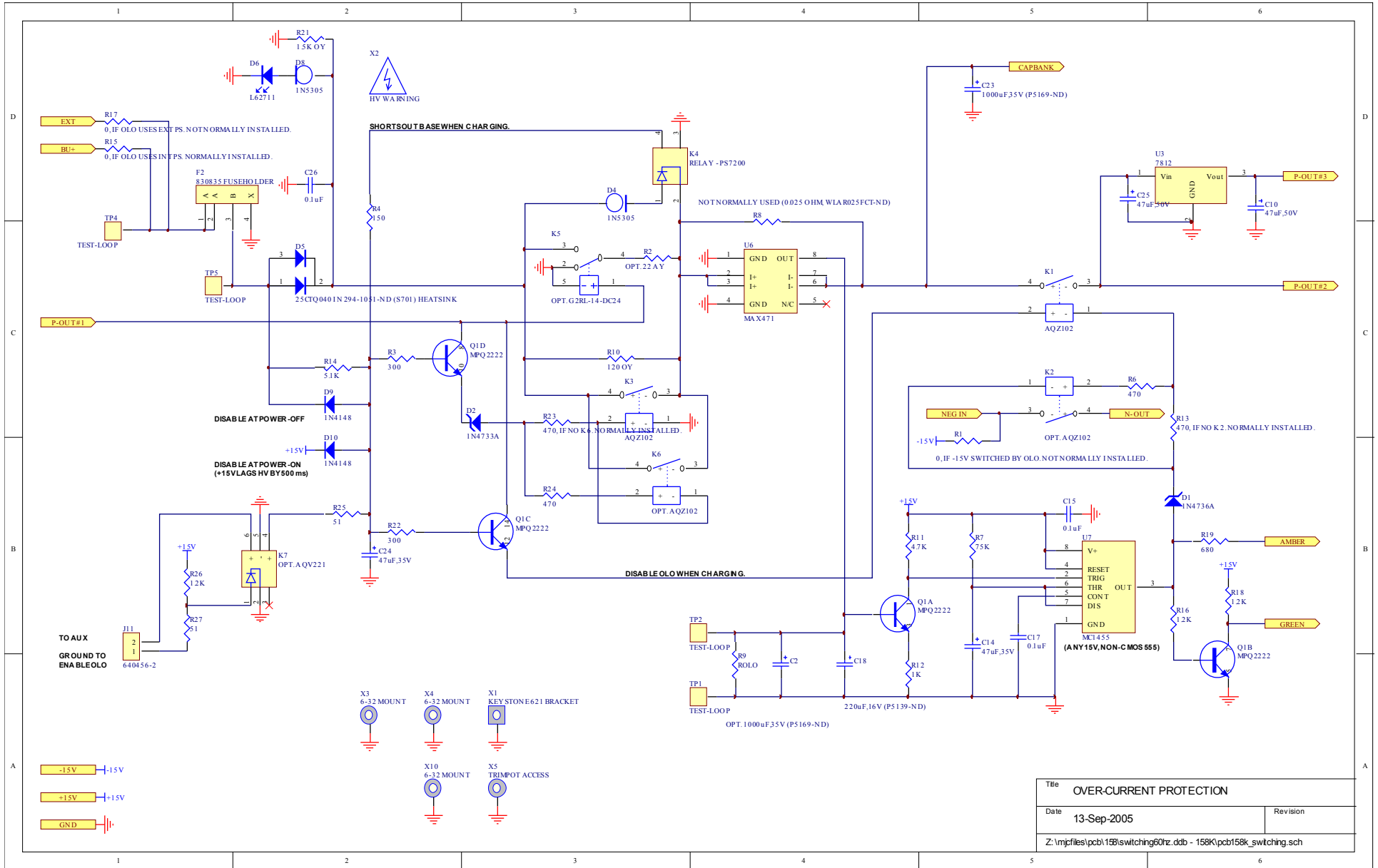


Title		LOW VOLTAGE DC/DC POWER SUPPLY
Date	13-Sep-2005	Revision
Z:\mpjfiles\pcb158\switching60hz.ddb - 158K\pcb158k.sch		

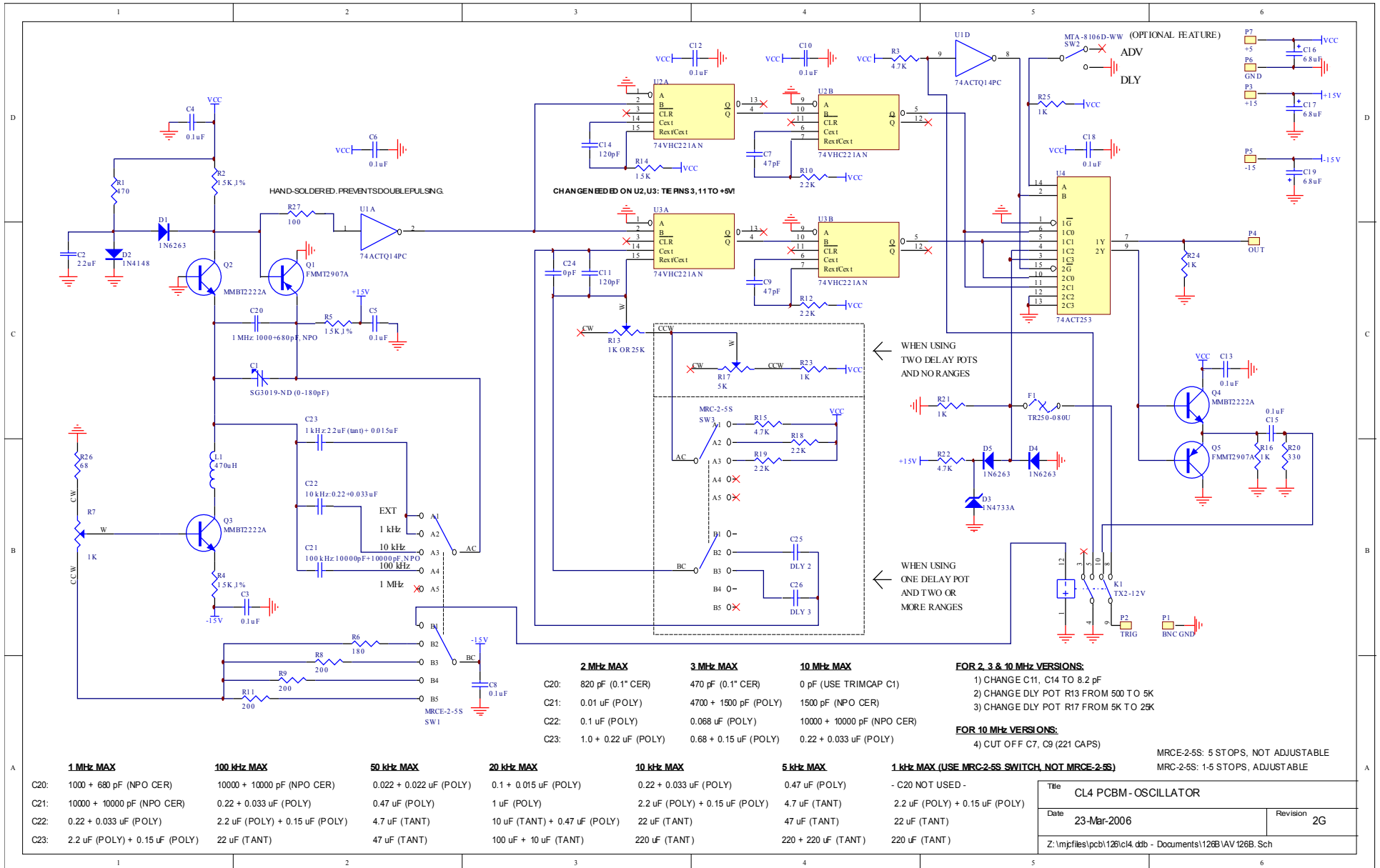
# PCB 158K - LOW VOLTAGE POWER SUPPLY, 2/3



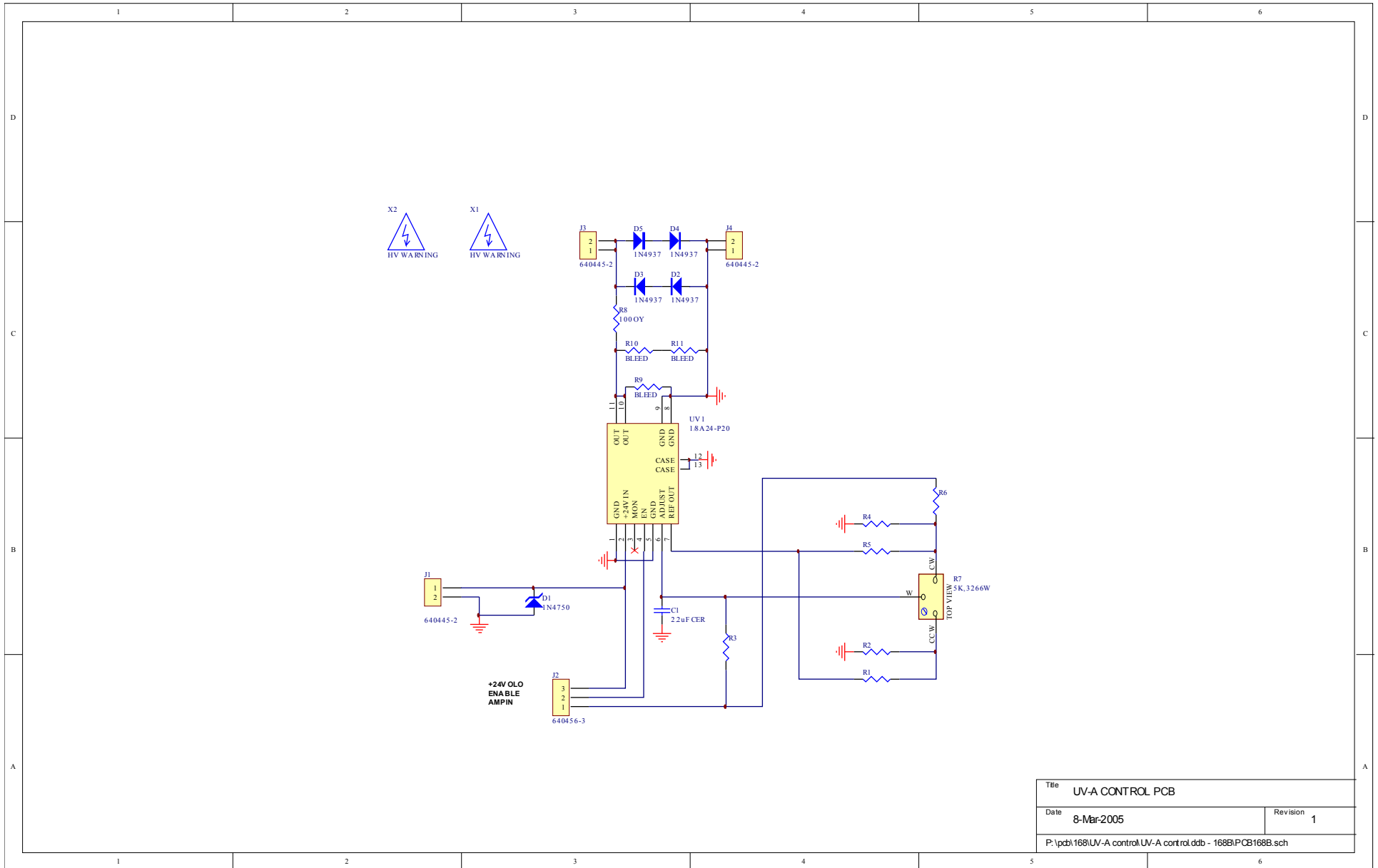
# PCB 158K - LOW VOLTAGE POWER SUPPLY, 3/3



# PCB 126B - OSCILLATOR AND TRIGGER CIRCUIT



# PCB 168B - HIGH VOLTAGE DC POWER SUPPLY



Title UV-A CONTROL PCB	
Date 8-Mar-2005	Revision 1
P:\pcb\168UV-A control UV-A control.dtb - 168B\PCB168B.sch	





PERFORMANCE CHECKSHEET